

16 July 2012

BULLETIN # 238

GENERAL

EURO ADAPTORS

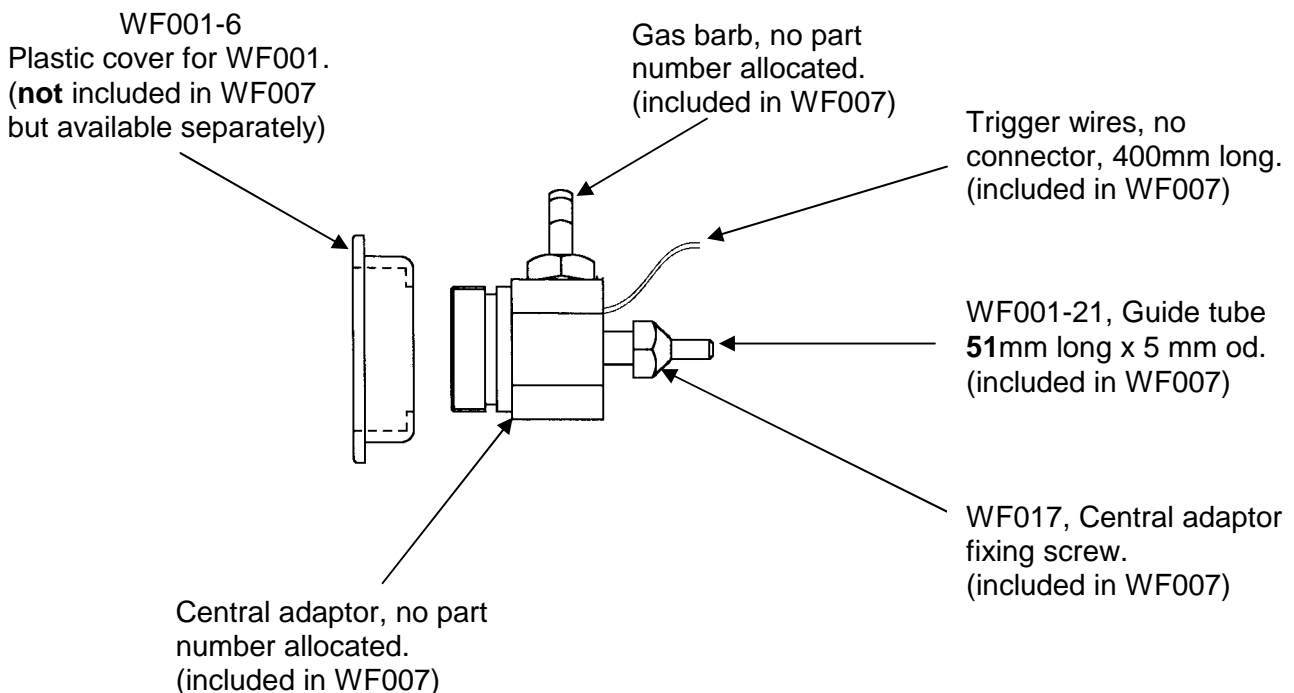
The euro adaptors used on older model Weldmatic wirefeed assemblies have become difficult to obtain. Where possible, substitute parts have been specified.

Here is an explanation of the euro adaptors which are currently available.

WF007, EURO ADAPT INCL GAS BARB&GUIDE

used in:

- CP115, CP116, CP111 (Weldmatic 150, 175, 215)
- W53, W54, and W55 wirefeeders (215 external, 255 & 2RD)



WF007-1, EURO ADAPTER 40MM PINNED 4RD

Used in W56 (4RD) wirefeeders.

Contains the same parts as WF007 above, but with the following differences.

Central adaptor has a location pin fitted to prevent rotation when used on W56 4RD.

Central adaptor fixing screw, P/No WF022 is slightly longer than WF017 used in WF007.

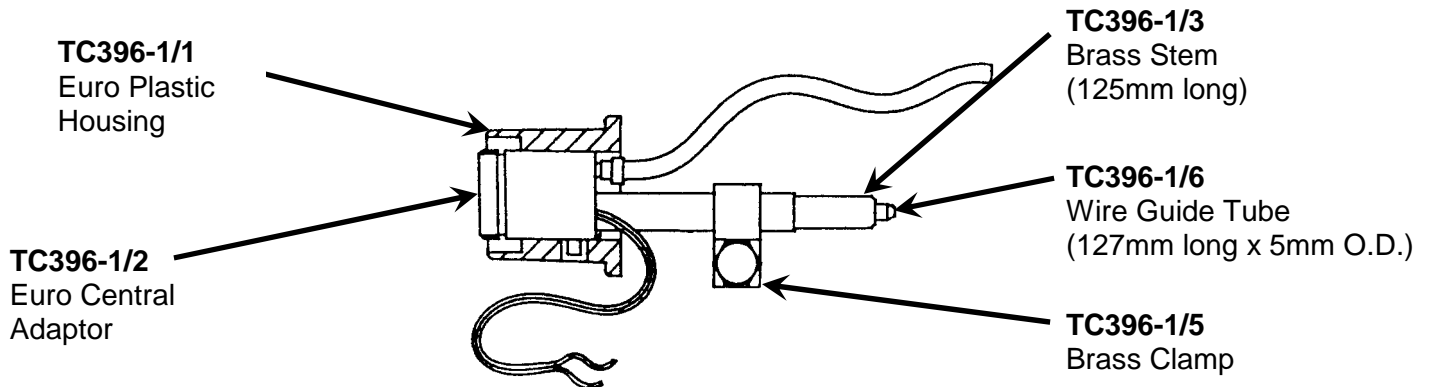
WF001-21, Guide Tube (51mm long) is provided, but may need to be shortened to 48mm long for use with W56 4RD.

QUALITY WELDING PRODUCTS, SYSTEMS AND SERVICES

The information provided in this sheet is accurate and reliable, however no warranty of accuracy or reliability is given and no responsibility arising in any other ways by errors or omissions is accepted. Any information involving mains or high voltage is intended for use by qualified electrical personnel only.

TC396-1, Euro Adaptor (not available as complete assembly, but individual parts available).

Used on Weldmatic 205S, 210S, 250S, 255S, 305, 325, SMG200, SMG300, W32.



TC396-1/3, Brass Stem is still available.

TC396-1/6, Wire Guide Tube, (127mm long x 5mm O.D) is still available.

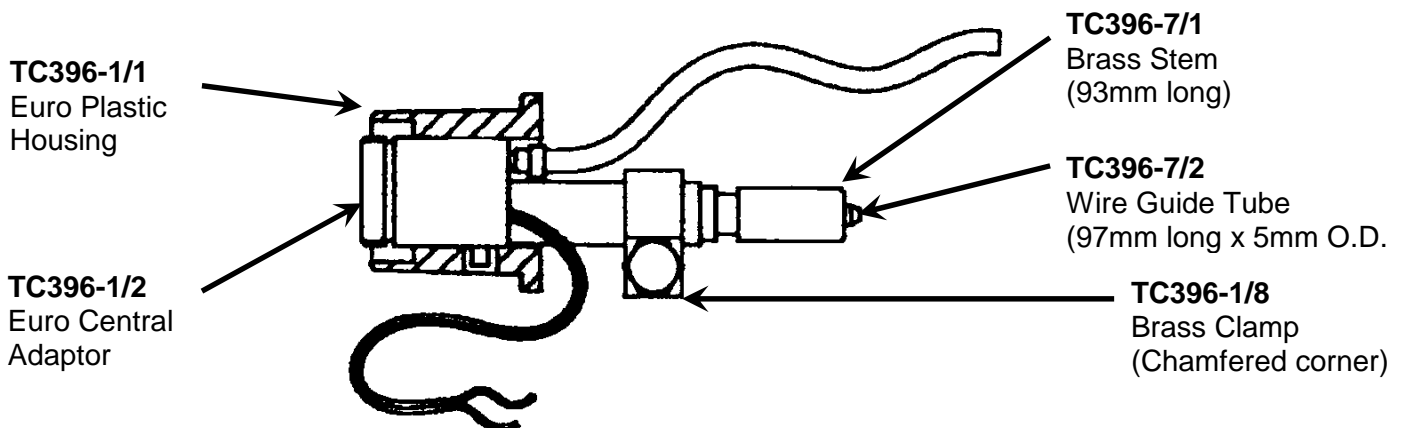
TC396-1/5, Brass Clamp is not available any more. Rarely sold. A substitute can be made from a piece of copper strap, bent around the stem, and with holes drilled for a fixing bolt.

TC396-1/2, Euro Central Adaptor is not available. Can use WF007 as a substitute, WF007 is hexagonal in shape rather than round.

TC396-1/1, Euro Plastic Housing is not available. WF001-6, Plastic Euro Cover (used with WF007 as per prev. page) is available, however this is not a direct replacement. Some modification of the euro adaptor mounting would need to be made to enable use of the WF001-6 on older models.

TC396-7, Euro Adaptor (not available as complete assembly, but individual parts available).

Used on Weldmatic 150S, 110S, W41-0, W41-1



TC396-7/1, Brass Stem is still available.

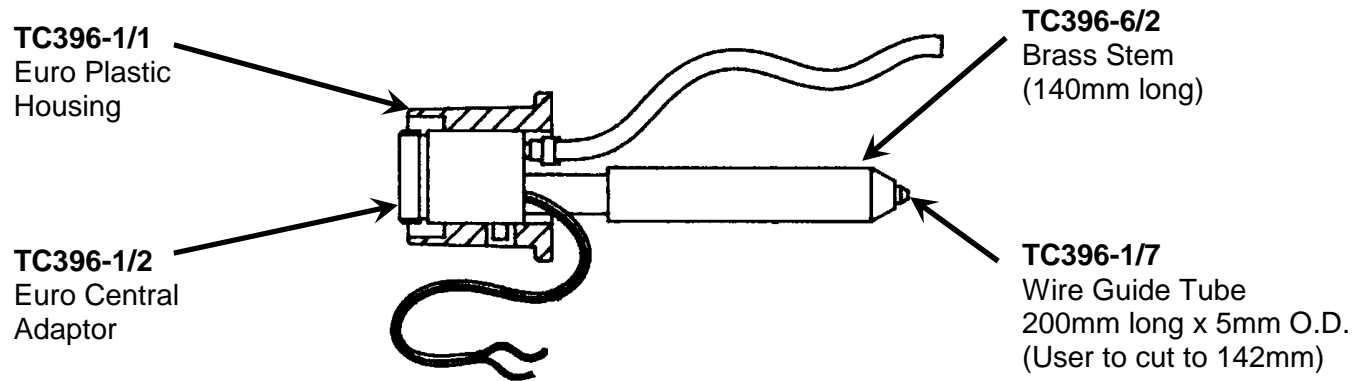
TC396-7/2, Wire Guide Tube, (97mm long x 5mm O.D) is still available.

TC396-1/8, Brass Clamp is not available any more. Rarely sold. A substitute can be made from a piece of copper strap, bent around the stem, and with holes drilled for a fixing bolt.

TC396-1/2, Euro Central Adaptor is not available. Can use WF007 as a substitute, WF007 is hexagonal in shape rather than round.

TC396-1/1, Euro Plastic Housing is not available. WF001-6, Plastic Euro Cover (used with WF007 as per prev. page) is available, however this is not a direct replacement. Some modification of the euro adaptor mounting would need to be made to enable use of the WF001-6 on older models.

TC396-6, Euro Adaptor (not available as complete assembly, but individual parts available).
Used on W17 when euro ended gun (ie Hulftegger) used. Can also be used for W35, although this stem is longer than the original stem used on W35 (115mm long).



TC396-6/2, Brass Stem is still available.

TC396-1/7, Wire Guide Tube is still available. (User to cut to 142mm)

TC396-1/2, Euro Central Adaptor is not available. Can use WF007 as a substitute, WF007 is hexagonal in shape rather than round.

TC396-1/1, Euro Plastic Housing is not available. WF001-6, plastic Euro Cover is not suitable for use on a W17 or W35.

Hugh Stewart,
Technical Service Coordinator