

GENERAL

EURO ADAPTORS AND FEED PLATES

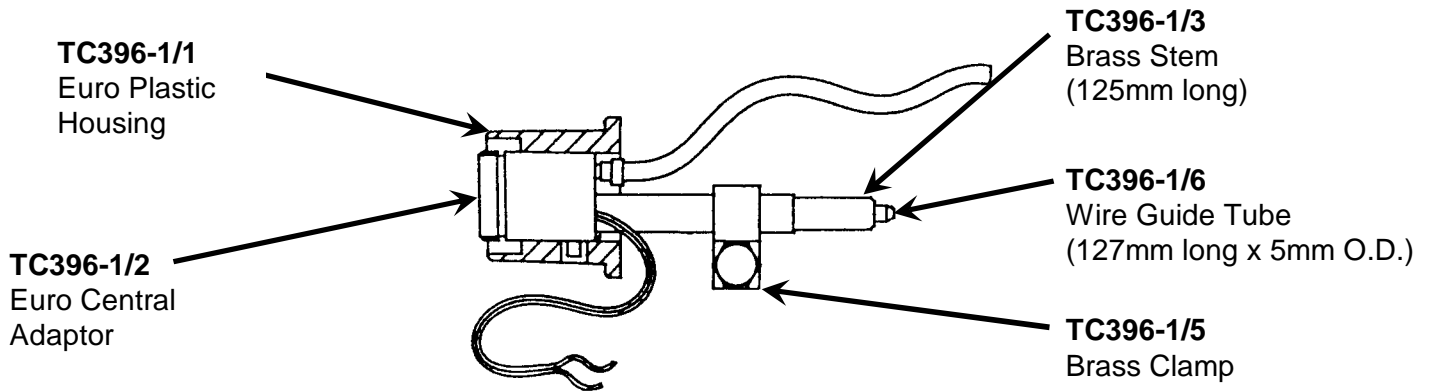
The euro adaptors and feed plates used on older model Weldmatic wirefeed assemblies have been difficult to obtain. There have been various attempts to find substitutes, but fortunately some of the original parts have now become available again.

To help clarify what has become a very confusing subject, here is an explanation of the euro adaptors and feed plates which are currently available.

Please be aware that this information is currently correct, but continued supply of these parts depends on availability from our supplier.

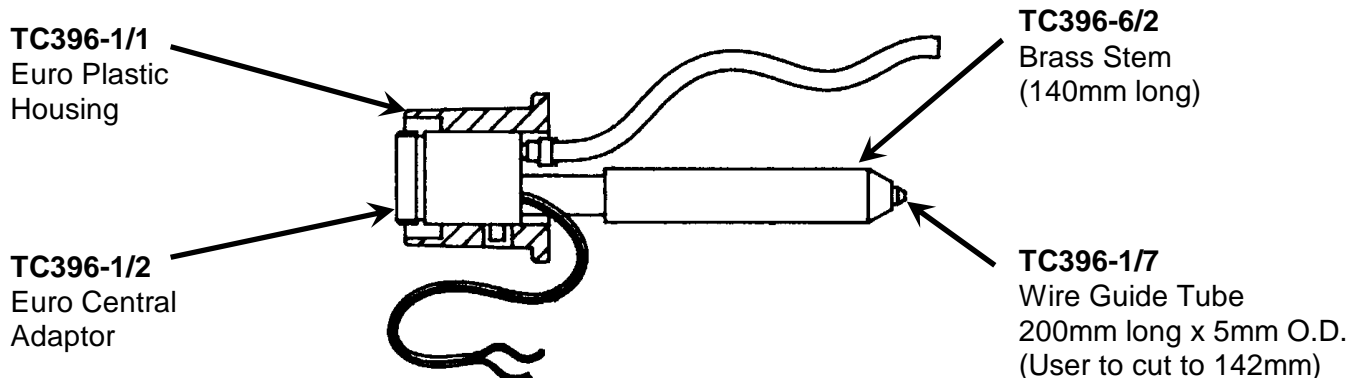
TC396-1, Euro Adaptor

Used on Weldmatic 205S, 210S, 250S, 255S, 305, 325, SMG200, SMG300, W32.



TC396-6, Euro Adaptor (not available as complete assembly, but individual parts available).

Used on W17 when euro ended gun (ie Hulftegger) used. Can also be used for W35, although original stem only 115mm long.

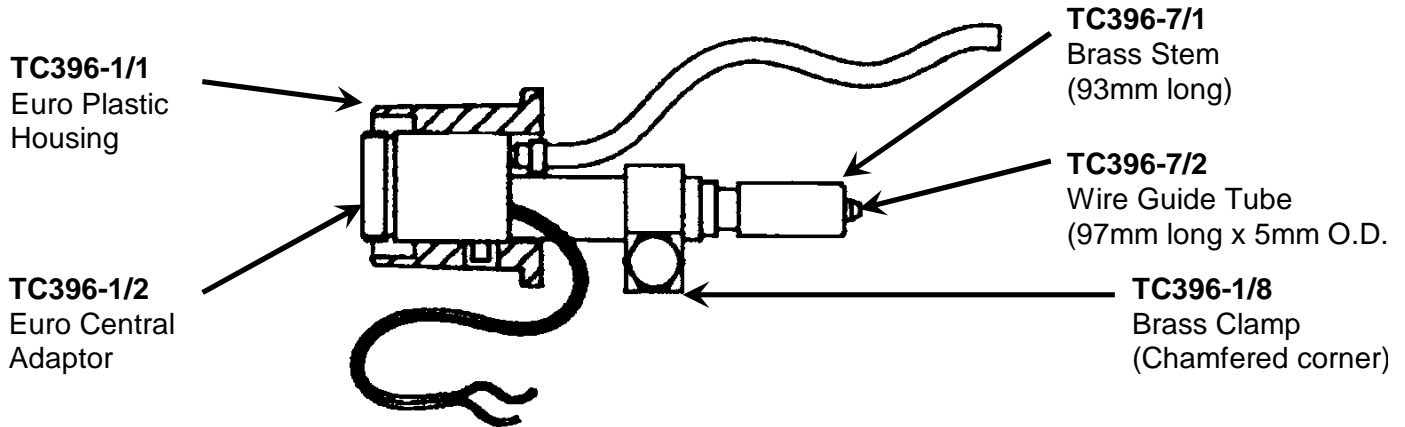


QUALITY WELDING PRODUCTS, SYSTEMS AND SERVICES

The information provided in this sheet is accurate and reliable, however no warranty of accuracy or reliability is given and no responsibility arising in any other ways by errors or omissions is accepted. Any information involving mains or high voltage is intended for use by qualified electrical personnel only.

TC396-7, Euro Adaptor

Used on Weldmatic 150S, 110S, W41-0, W41-1

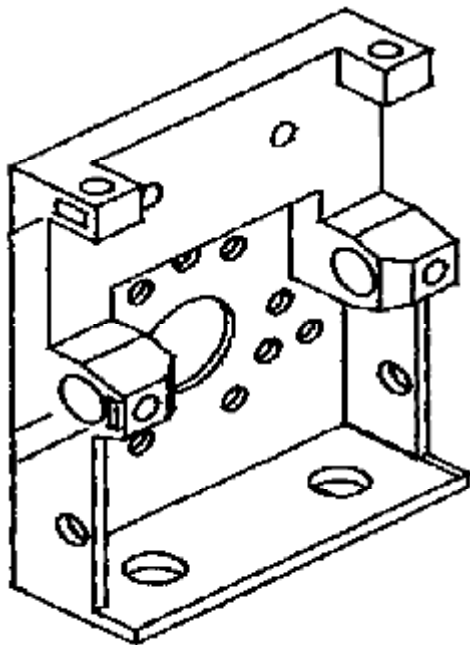


TC396-11, Euro Adaptor for Miller wirefeeders.

Not available, use MR164902

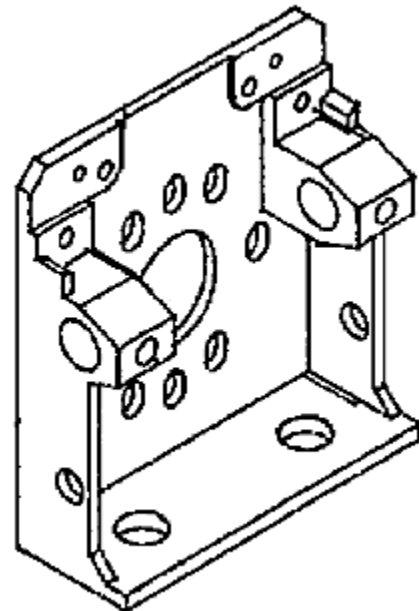
W26-0/6 Feed Plate (plastic)

Used on Weldmatic 120S, 150S, 160S, 175S.



W27-1/1 Feed Plate (metal)

Used on 205S, 210S, 250S, 255S, 305, 325



Hugh Stewart,
Technical Service Coordinator