

18 Sept 2006

BULLETIN #209

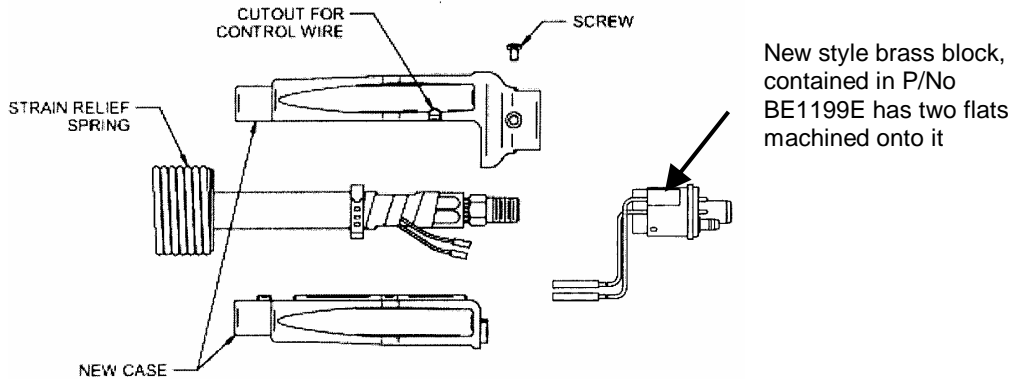
BERNARD MIG GUNS

NEW BACK END FOR Q200, Q300 & Q400 EURO ENDED GUNS

The rigid strain relief and brass block on the wirefeeder end of Bernard MIG guns has changed. This bulletin explains the differences that effect the euro ended gun.

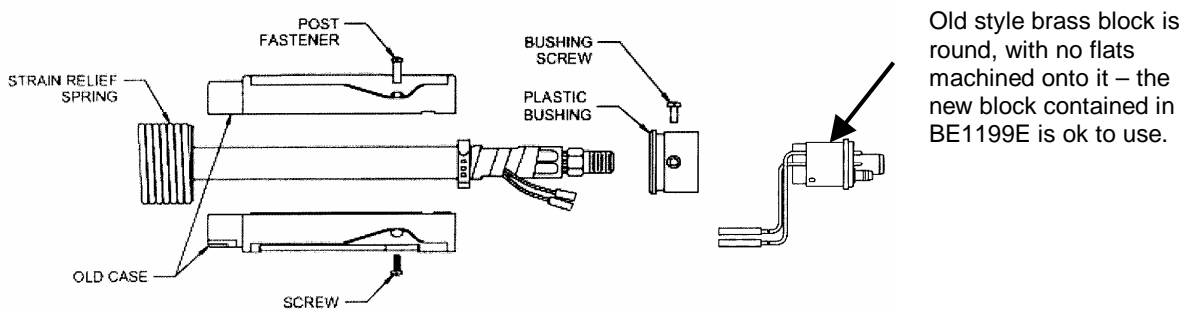
New Back End Details

The main difference is that the new style has two flats machined onto the brass block, with matching faces provided on the new plastic case. The new case cannot be fitted to an old gun with the old style brass block because the new case requires two flats on the brass block.



Old Back End Details

The rigid strain relief of the old back end assembly old case splits into 2 equal halves and is held together by 2 screws. It also has an independent plastic bushing (cap).



If a replacement case is required, it will be necessary to determine whether the customer requires new style or old style. The easiest way to discriminate is to look for flats on the side of the brass block. If there are no flats, only the old style case will fit.

Replacement Spare Parts for Q200, Q300 and Q400 Style MIG Guns

	Description	Part Number
Old Style	Rigid case	BE1880074
	Plastic bushing	BE4822
New Style	Rigid case	BE2520069

The single piece case used on the **Q150** style gun has not changed recently. It is P/No BE2520047 and fits the brass block (with flats) supplied with the BE1199E package. If an old style case (no flats) needs to be replaced, the BE1880074 Rigid case and BE4822 Plastic Bushing could be used together as a replacement.

Hugh Stewart, Technical Service Coordinator

QUALITY WELDING PRODUCTS, SYSTEMS AND SERVICES

The information provided in this sheet is accurate and reliable, however no warranty of accuracy or reliability is given and no responsibility arising in any other ways by errors or omissions is accepted. Any information involving mains or high voltage is intended for use by qualified electrical personnel only.