



WIA Blue Helmet

AUTO-DARKENING



Trusted by the best





WIA BLUE HELMET

DESIGNED FOR THE WELDER WHO WANTS PROTECTION, PERFORMANCE & COMFORT AT AN AFFORDABLE PRICE. SUITS LIGHT INDUSTRIAL, TRADE, MAINTENANCE & REPAIR, DIY & RURAL APPLICATIONS.



AUSTRALIAN STANDARDS

AUSTRALIAN STANDARDS
Tested in Australia, the lens and helmet comply with Australian Standards AS/NZS 1338.1 (Auto-Darkening) and AS/NZS 1337.1 B (High Impact).



VARIABLE SHADE CONTROL
Variable control for adjustment of shade, lens sensitivity and delay for maximum control when welding. Shades 9 - 13.



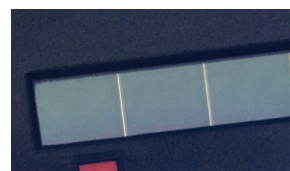
CONVENIENT EXTERNAL SHADE CONTROL
Provides flexibility to adjust shade control while welding.



BIG VIEWING AREA
With a viewing area larger than most helmets in its class, the operator gets a better visual of the working area.



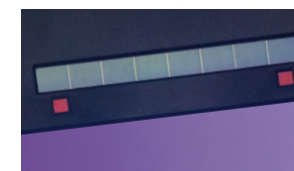
MAGNIFYING LENS HOLDER
Built-in provision for magnifying lens*, if required. *Magnifying lens not included.



BATTERY POWERED WITH SOLAR-ASSIST
For exceptionally long life and no charging required! Features auto on/off function and low battery indicator. Delivers up to 1500 hours of interruption free welding with MIG, Stick and Inverter power sources – meaning your helmet will always be ready to go when you are. Replaceable battery.



OPERATOR COMFORT
High quality headgear - comfortable, lightweight and fully adjustable for easy adjustment to provide maximum face and neck protection. Weighs only 515g.



DUAL ARC SENSORS
Provides continuous arc sensing capability. Lens automatically switches from light safety shade to adjustable welding shades 9 - 13 when an arc is struck. Lens darkening reaction time 1/10,000 sec.



GRIND MODE
Comes standard with Grind Mode, meaning you can use one helmet for all your welding requirements – including weld preparation and clean-up.



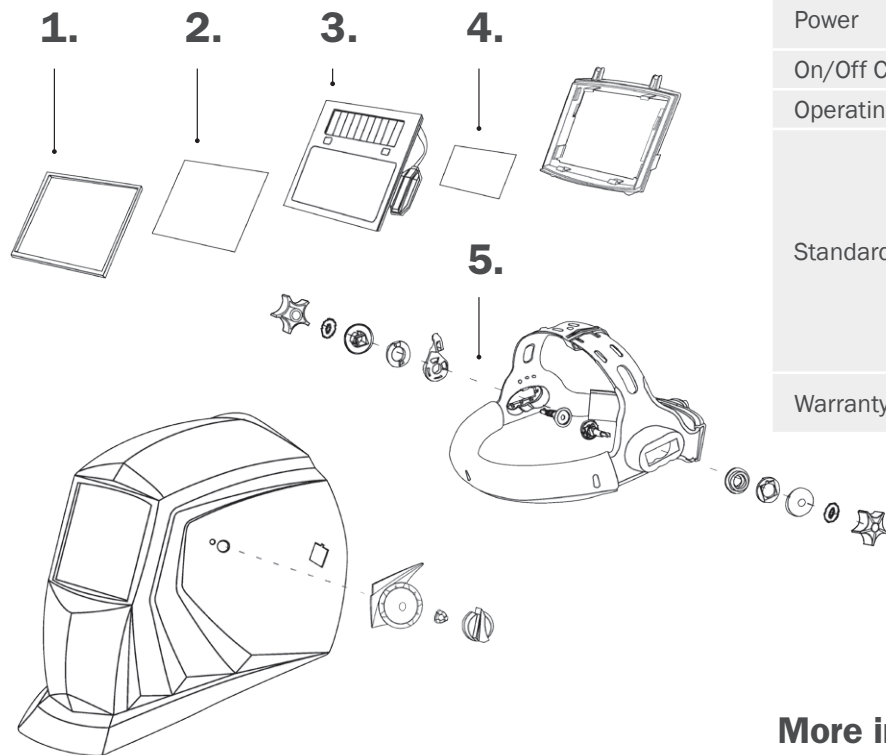
1 YEAR WARRANTY
Like all WIA products, this product is manufactured with quality in mind. Tested under stringent conditions, we provide a 1 year warranty for your peace of mind.

More info > welding.com.au

PARTS LIST



1. Front Lens Gasket	P/N - 235758
2. Front Cover Lens (pkt 5)	P/N - 235621P
3. Replacement Filter Lens	P/N - 770671
4. Inside Cover Lens (pkt 5)	P/N - 770237P
5. Ratchet Headgear Assembly	P/N - 770246
6. Replaceable Battery	P/N - 217043



SPECIFICATIONS



Part Number	235620
Viewing Area	97 X 46mm
Cartridge Size	110 X 90mm
Variable Shades	9 - 13
Light State	4
Grind Mode	Yes
Switching Speed (Light to Dark)	1/10,000 Sec
Delay Speed (Dark to Light)	0.1 - 1.0 Sec
Arc Sensors	2
Weight	515g
Power	Lithium Battery & Solar-Assist
On/Off Control	Automatic
Operating Temperature	-5 °C to +55 °C
Standards	AS/NZS 1338.1 (Auto-Darkening) AS/NZS 1337.1 B (High Impact) ANSI Z87.1-2003 (High Impact) DIN/TUV/CSA
Warranty	1 Year (Auto-Darkening Lens Only)

More info > welding.com.au

Distributed by:

1300 300 884
welding.com.au



Trusted by the best

